

POLYCARBONATE SCREW COVER ENCLOSURES

Application

Designed for indoor or outdoor use to house electrical and electronic controls, instruments and components in areas that may be regularly hosed down or are in very wet conditions. Non-corrosive, UV resistant polycarbonate enclosure with opaque covers. Provides protection from dust, dirt, oil and water.

Construction

- Impact resistant polycarbonate.
- Opaque cover.
- Brass inserts for securing mounting feet.
- Oil and water resistant pour in place gasket.
- Screw cover
- 10-32 standoffs provided for mounting optional panels.
- Multiple bosses for easy installation of devices and DIN rails.

Finish

RAL 7035 Light Gray Polycarbonate

IS6 Industry Standards

NEMA Type 3R, 4, 4X, 12 & Type 13

UL Listed Type 3R, 4, 4X & 12

CSA Type 3R, 4, 4X & 12

IEC 60529 IP66

***To maintain Type 3R listing, drainage is required. Install equally rated drainage device or drill a 1/8 to 1/4 inch hole in the bottom center of the enclosure, approximately 1 inch from the right, and 1 inch from the left for drainage, use listed rain-tight or wet location hubs. Drip shield over the door is recommended for all outdoor applications.

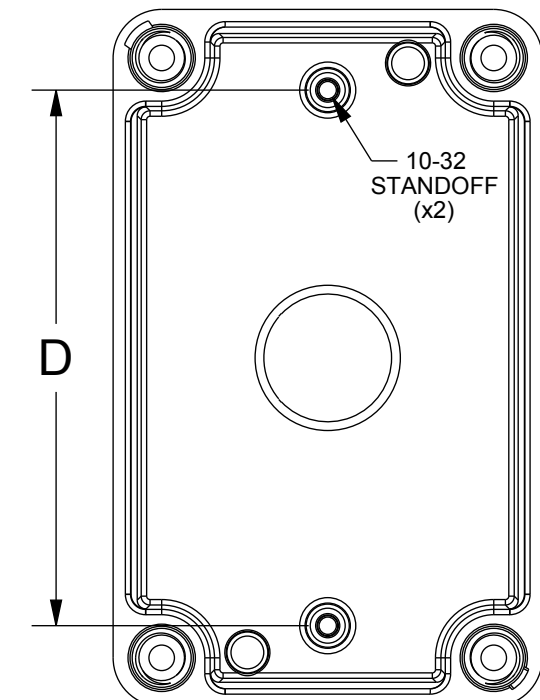
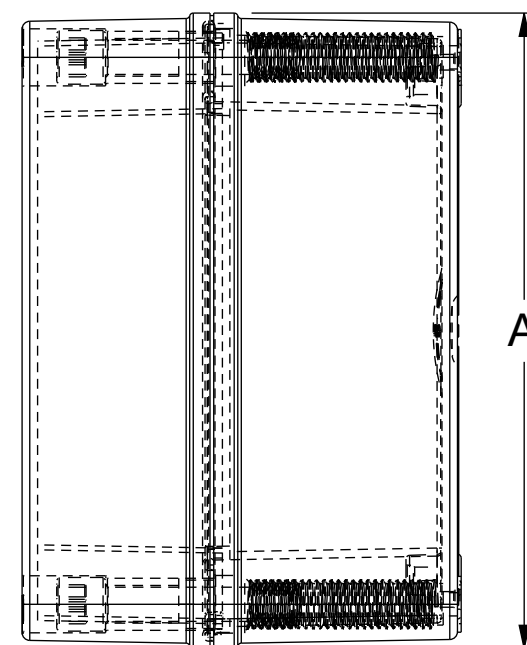
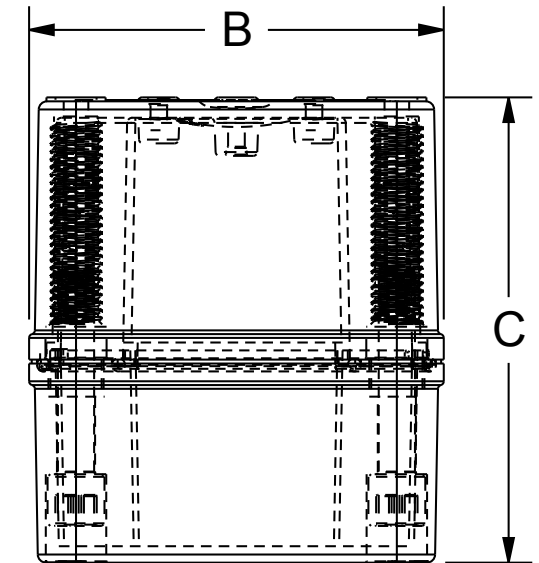
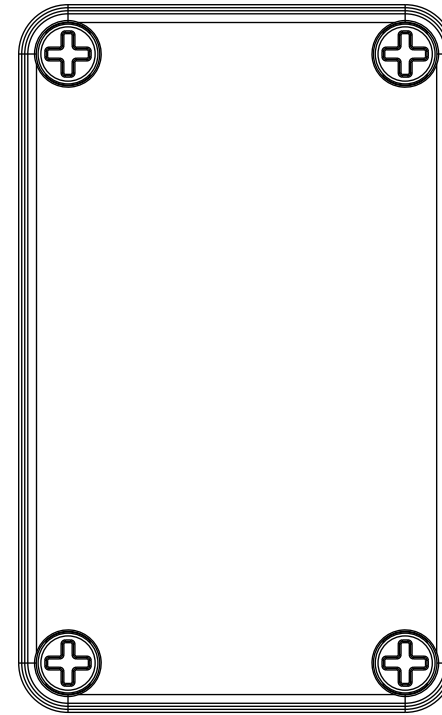


336

Enclosure Product Code F1

Catalog No.	Height (A)	Width (B)	Depth (C)	Mounting (G)	Mounting (H)	Industry Standard
SCE-43PCSC	4.34	3.16	2.76	3.62	2.44	IS6
SCE-53PCSC	5.12	3.16	3.51	4.40	2.44	IS6

POLYCARBONATE SCREW COVER ENCLOSURES TECHNICAL DATA



337